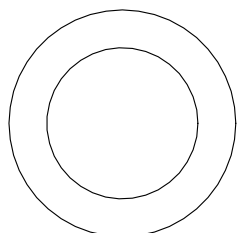
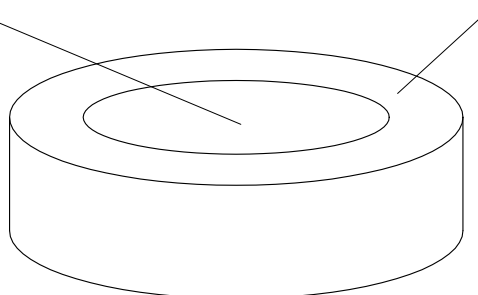
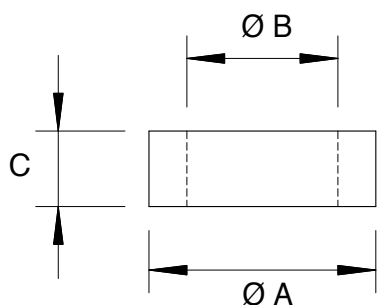


Crystal Geometry K006

1. Orientation 2. Orientation



A =	Ø	mm
B =	Ø	mm
C =		mm



as cut	
one side polished	
both side polished	
roughness	< micron
orientation accuracy	< deg.
mark for second direction	
reference flat	

Princeton Scientific Corporation

PO Box 148
 Easton, PA 18044
 609.924.3011
 info@princetonscientific.com