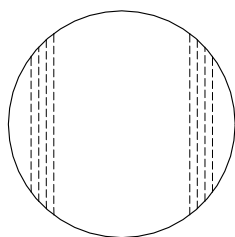
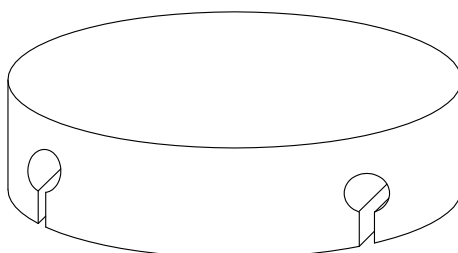
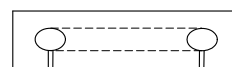
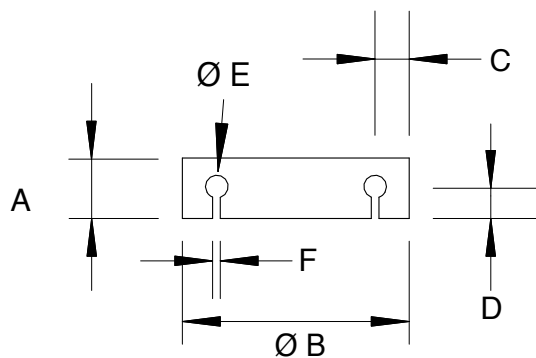


## Crystal Geometry K008



A =		mm
B =	Ø	mm
C =		mm
D =		mm
E =	Ø	mm
F =		mm



as cut	
one side polished	
both side polished	
roughness	< micron
orientation accuracy	< deg.
mark for second direction	
reference flat	

**Princeton Scientific Corporation**

PO Box 148  
 Easton, PA 18044  
 609.924.3011  
 info@princetonscientific.com