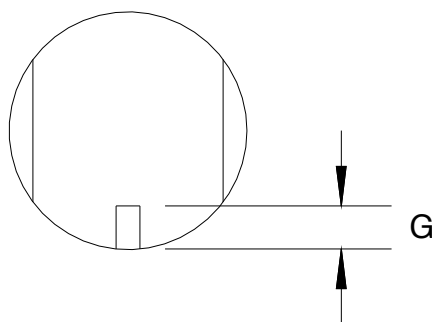
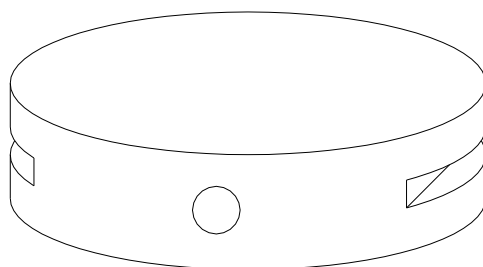
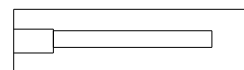
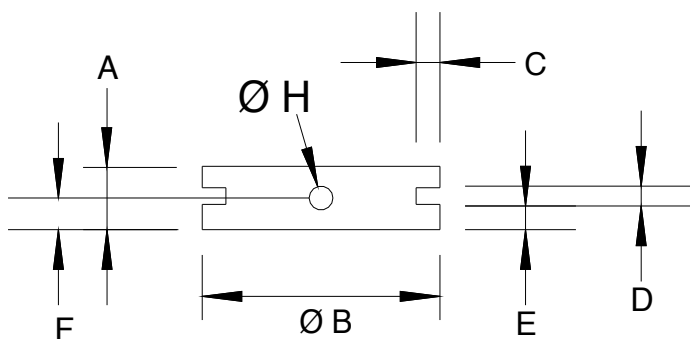


## Crystal Geometry K011



A =	mm
B =	∅ mm
C =	mm
D =	mm
E =	mm
F =	mm
G =	mm
H =	∅ mm



as cut	
one side polished	
both side polished	
roughness	< micron
orientation accuracy	< deg.
mark for second direction	
reference flat	

**Princeton Scientific Corporation**

PO Box 148  
 Easton, PA 18044  
 609.924.3011  
 info@princetonscientific.com